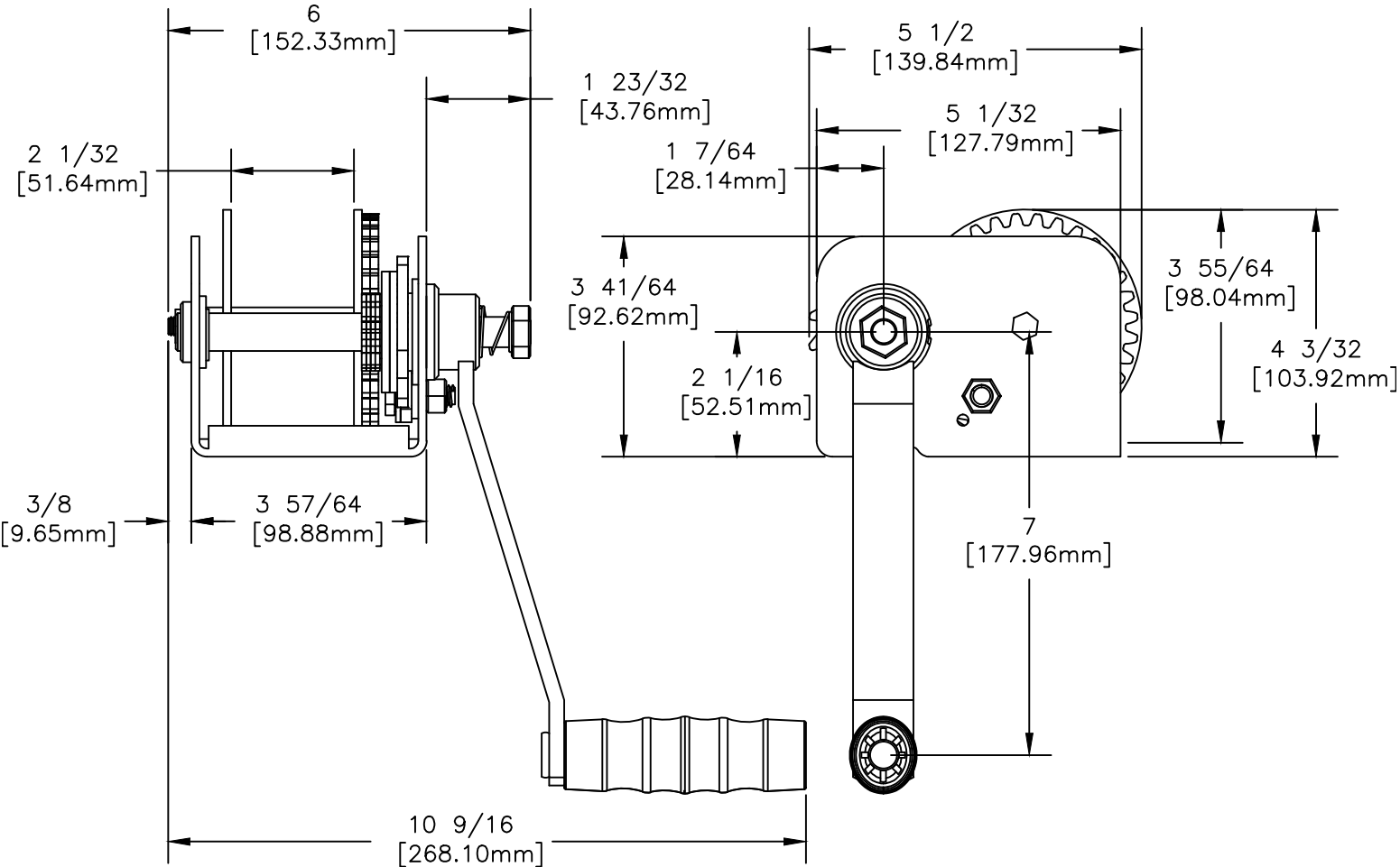


MODEL DLB350A  
 350lb/159kg CAPACITY  
 BRAKE WINCH

FRONT & SIDE VIEW



BASE HOLE PATTERN

